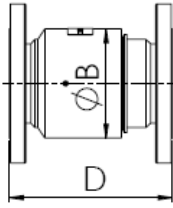




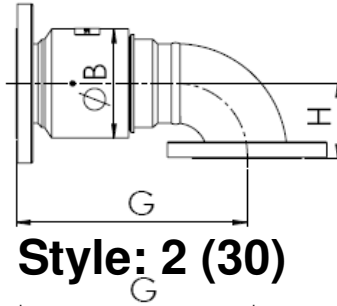
LARGE BORE SWIVEL JOINTS

NOMINAL BORE 8" TO 24"

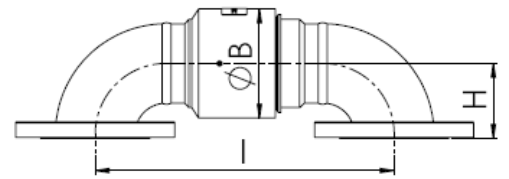
FLANGED (Slip on ASME 150 lb RF, PN16 RF, BS10 Table D,E etc)



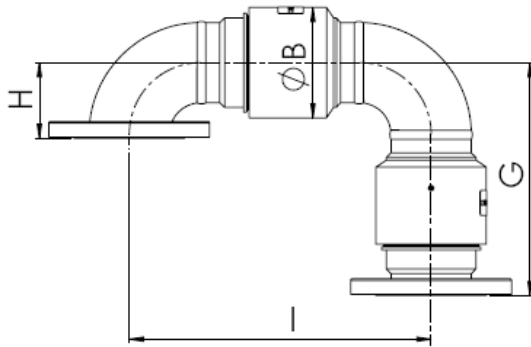
Style: 1 (20)



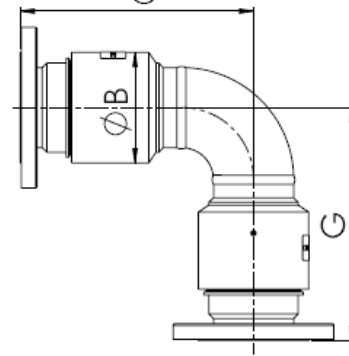
Style: 2 (30)



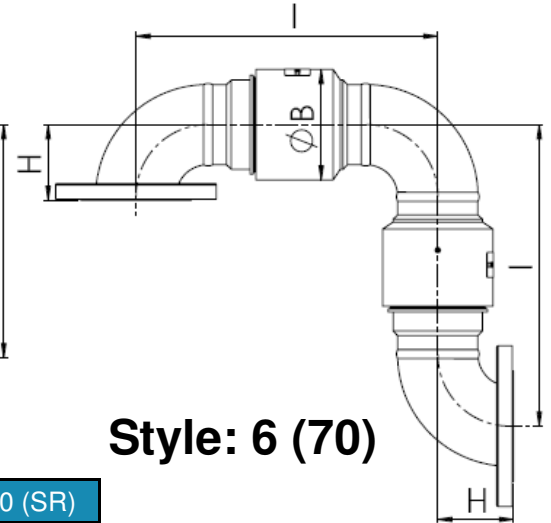
Style: 3 (40)



Style: 4 (50)



Style: 5 (60)



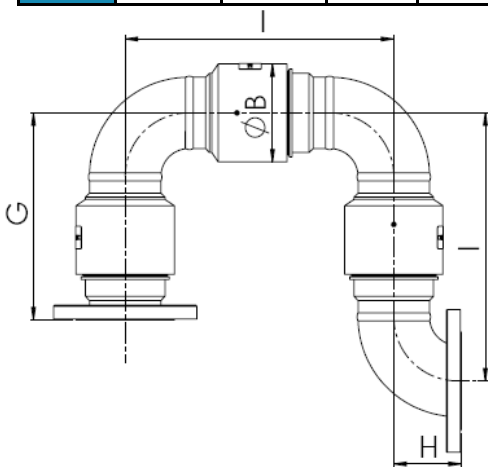
Style: 6 (70)

BORE		B Dia	D	FLANGED 150 (LR)			FLANGED 150 (SR)		
(in.)	(mm)	(mm)		G	H	I	G	H	I
8"	193	283	340	637	315	934	535	213	730
10"	247	337	340	713	391	1086	586	264	832
12"	298	388	340	789	467	1238	637	315	934
14"	330	420	340	865	543	1391	688	366	1035
16"	380	470	340	942	620	1543	738	416	1137
18"	431	521	340	1018	696	1696	789	467	1238
20"	482	572	340	1094	772	1848	840	518	1340
24"	584	674	340	1246	924	2153	942	620	1543

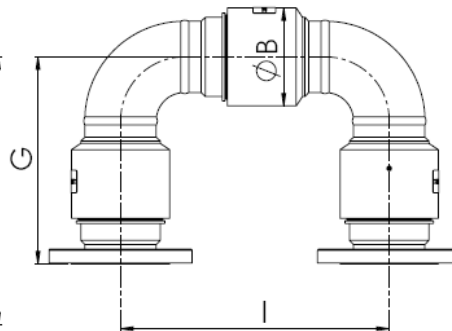
Other flange types are available on request.

Please contact our design department for further dimensions & specifications.

- Allowances for welding = 2mm per weld.
- The swivel bore is schedule XS unless otherwise specified.
- The fittings and elbows are schedule STD unless otherwise specified.



Style: 7 (80)



Style: 8 (10)

Drawings above are not to scale and are used for graphical representation

ROTAFLOW PROVIDE A DESIGN SERVICE

Assistance can be given on the configuration of joints for space saving in difficult areas, high pressure and larger bore designs. PTFE seals are offered as standard. Other materials including Nitrile, Fluorocarbon (Viton®), Aflas®, HNBR, EPDM are available.

Aflas is a trademark of Asahi Glass.
Viton is a trademark of DuPont Performance Elastomers

Copyright © 2016 Rotaflow FV LTD

Rotaflow FV Limited

Rotec House, Bingswood Trading Estate, Whaley Bridge, High Peak, SK23 7LY
www.rotaflow.com tel:+44(0)1663 735003 fax:+44(0)1663 735006
email:sales@rotaflow.com

Tech Spec:
222/161026
Page 1 of 1