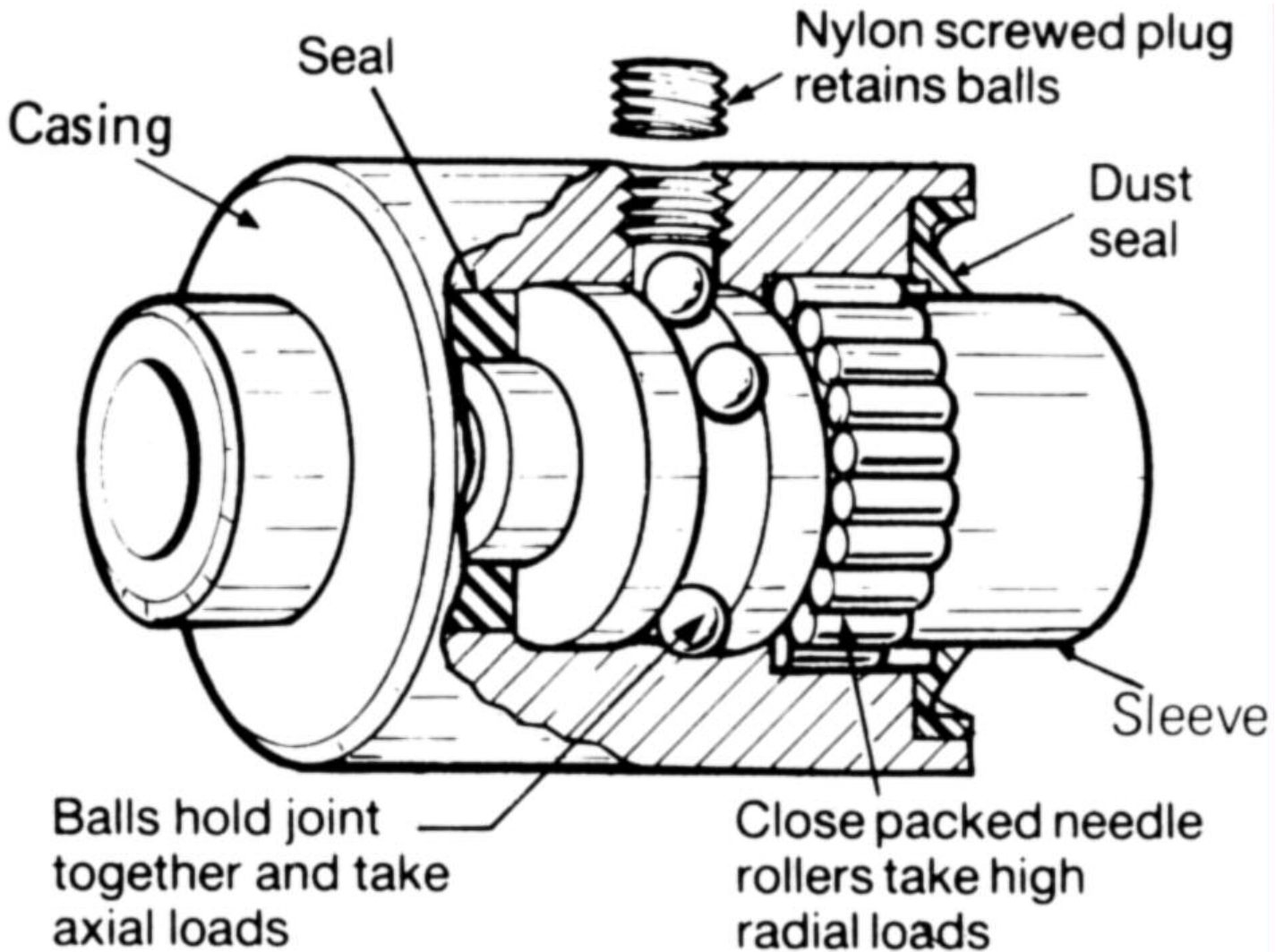




SK SERIES

Nominal Bore 1" To 6".



- Heavy duty.
- Clear bore.
- Wide choice of materials and end fittings.
- Fast delivery.

ROTAFLOW FV LIMITED

Tech spec: 120/030905 1:2

Rotec House, Bingswood Trading Estate, Whaley Bridge,
High Peak, SK23 7LY. Tel: 01663 735003 Fax: 01663 735006
E-mail: sales@rotaflow.com Web: www.rotaflow.com



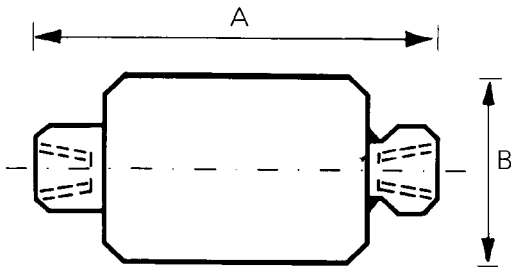


SK SERIES

Nominal Bore 1" To 6"

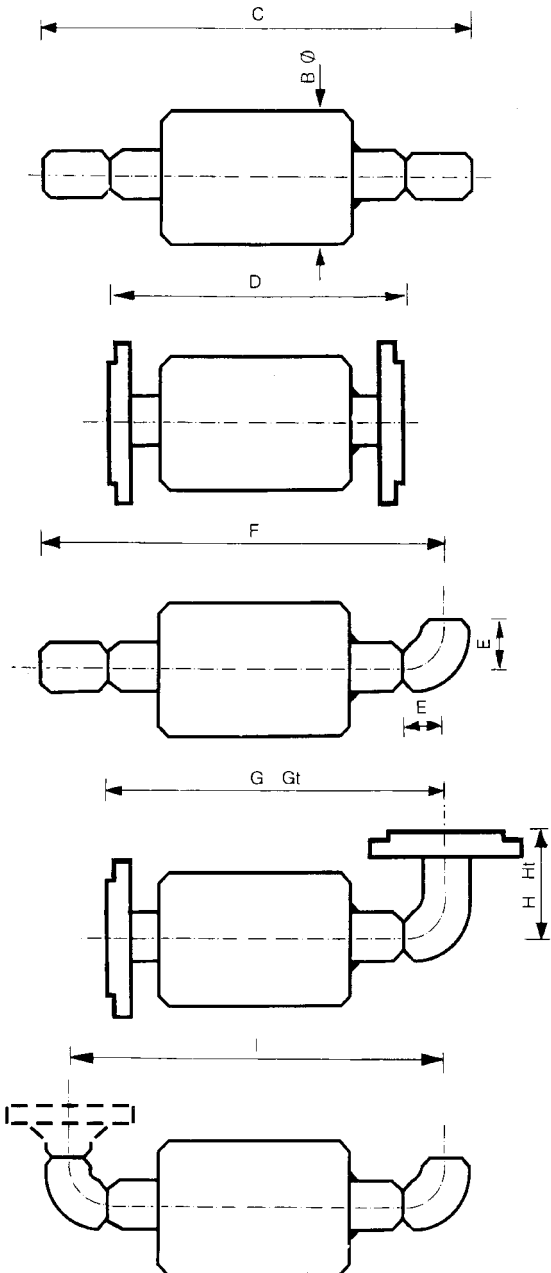
DIMENSIONS

Threaded Joints



Threads are BSP Taper or API/NPT.

Weld End & Flanged Joints



SIZE		BSPT _r OR ISO/R7			
BORE		A mm	B Dia	Gt	Ht
1"	24mm	137	68	151	63
1½"	38mm	147	79	168	91
2"	49mm	156	94	202	108
3"	73mm	192	121	233	113

SIZE		WELD END/FLANGED							
BORE in.	BORE mm	B Dia mm	C	D	E	F	G	H	I
1"	24	68	280	149	38	220	157	44	168
1½"	38	79	280	159	57	240	174	63	211
2"	49	94	300	168	76	270	208	82	258
3"	73	121	330	204	76	310	239	82	283
4"	97	157	330	234	102	380	332	108	430
6"	146	216	350	216	152	430	363	159	510

- Allowances for welding - 2mm per weld.
- In a welded system 75mm of pipe, is recommended, between new welds and the swivel joint to allow cooling and prevent seal damage.
- A ROTAFLOW swivel joint is to schedule 40 and is suitable to weld to pipe, elbows or flanges.
- Weld end elbows are supplied long radius on sizes 1", 1½" and 2" - short radius on sizes 3", 4" and 6".
Note:- 3" Flanged Only: Long Rad. - G = 227 H = 120 I = 359

NOTES:

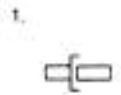
- ROTAFLow provide a refurbishing and maintenance service with speedy turnaround of joints.
- Details of seal replacement procedures can be provided.
- Regular greasing is advised:
Standard GREASE - Lithium Based: 4 shots on installation, 1 shot per 100 hours running. The unit cannot be over greased as any pressure will be relieved at the dust seal. Greasing self cleans the bearing area. Special greases can be supplied for the following applications:
 - High temperature
 - Oxygen - special cleaning facilities available
 - Radioactive duties
 - Sealed for life

ROTAFLow PROVIDE A DESIGN SERVICE

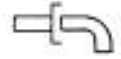
Assistance can be given on the configuration of joints for space saving in difficult areas, high pressure and larger bore designs. Available seals include: Nitrile, Fluorocarbon, Aflas® and PTFE.

Aflas is a trademark of Asahi Glass.

STYLES



1. Single swivel for 360° rotation in one plane.



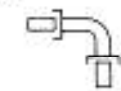
2. Single swivel with elbow to allow swinging lines at 90° angle.



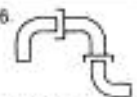
3. Single swivel with two elbows to permit swinging lines in parallel planes.



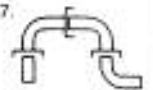
4. Two swivels with full 360° rotation in two planes at 90° angle.



5. Two swivels at 90° angle with full 360° rotation in each plane.



6. Two swivels at 90° angle with elbows on each end to permit swinging lines at any required angle to each other.



7. Three swivels with full 360° rotation plus an additional elbow to permit swinging lines at any required angle.



8. Three swivels with full 360° rotation permitting movement in three different planes.

ROTAFLow FV LIMITED

Tech spec: 120/030905 2:2

Rotec House, Bingswood Trading Estate, Whaley Bridge, High Peak, SK23 7LY. Tel: 01663 735003 Fax: 01663 735006 E-mail: sales@rotaflow.com Web: www.rotaflow.com

