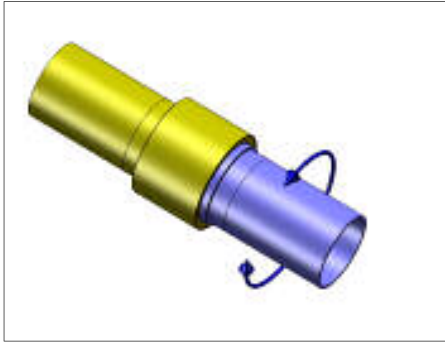


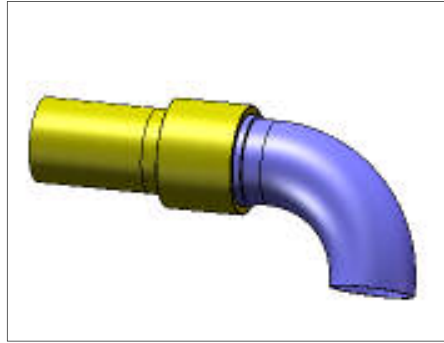


SWIVELJOINTS

Styles.



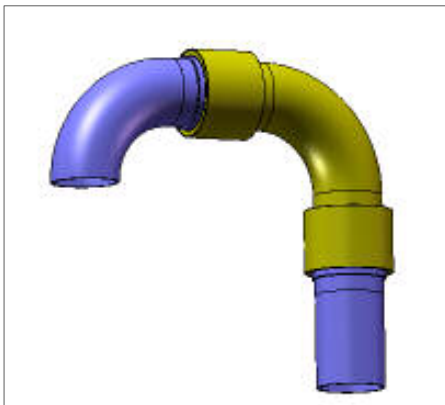
1. (20) Single swivel for 360° rotation in one plane.



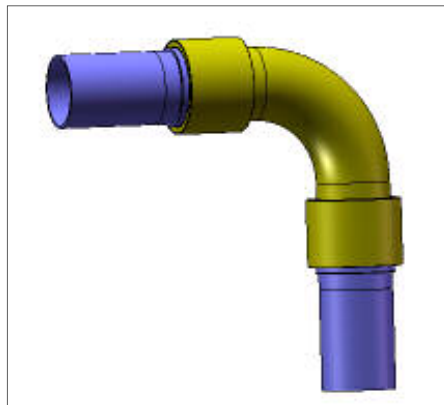
2. (30) Single swivel with elbow to allow swinging at 90°.



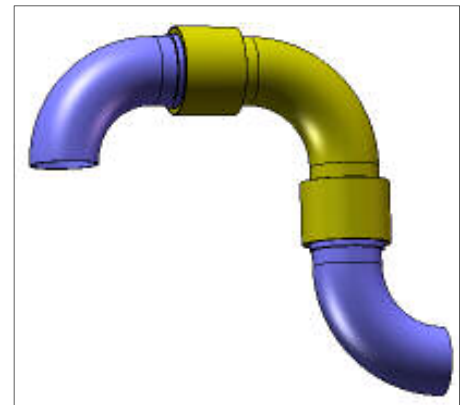
3. (40) Single swivel with two elbow stops to permit swinging lines in parallel



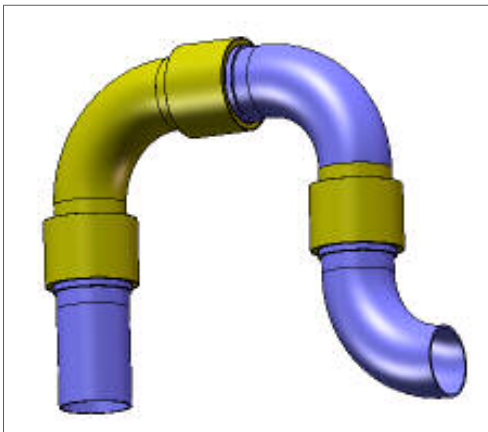
4. (50) Two swivels with full 360° rotation in two planes at 90° angle.



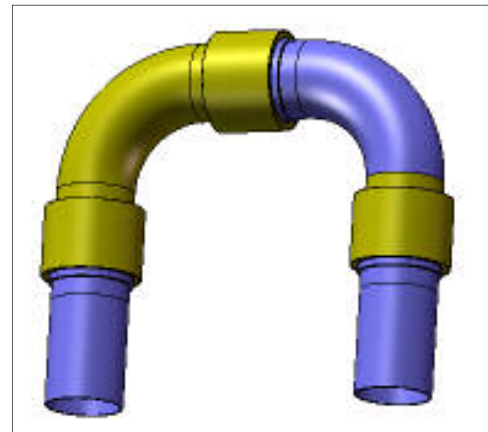
5. (60) Two swivels at 90° angle with full 360° rotation in each plane.



6. (70) Two swivels at 90° angle with elbows on each end to permit swinging lines at any angle.



7. (80) Three swivels with full 360° rotation, plus an additional elbow to permit swinging lines at any angle.



8. (10) Three swivels with full 360° rotation permitting movement in three different planes.

ROTAFLOW FV LIMITED

RotecHouse, Bingswood Trading Estate, Whaley Bridge,
High Peak, SK237LY. Tel: 01663735003 Fax: 01663735006
E-mail: sales@rotaflow.com Web: www.rotaflow.com

TechSpec:
118/061114
Page 1 of 1