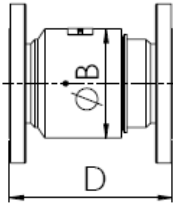




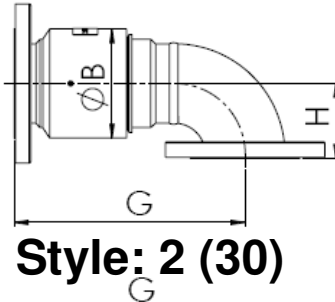
# SK SERIES SWIVEL JOINTS

NOMINAL BORE 1" TO 6"

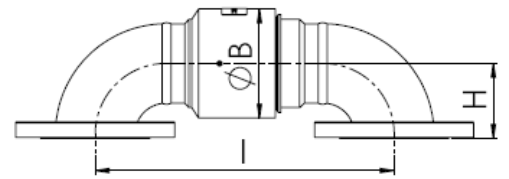
**FLANGED** (Slip on ASME 150 lb RF, PN16 RF, BS10 Table D,E etc )



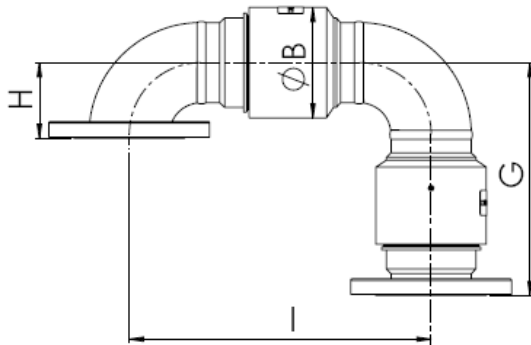
**Style: 1 (20)**



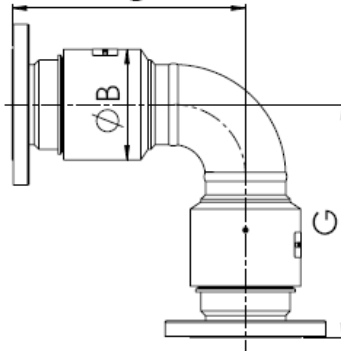
**Style: 2 (30)**



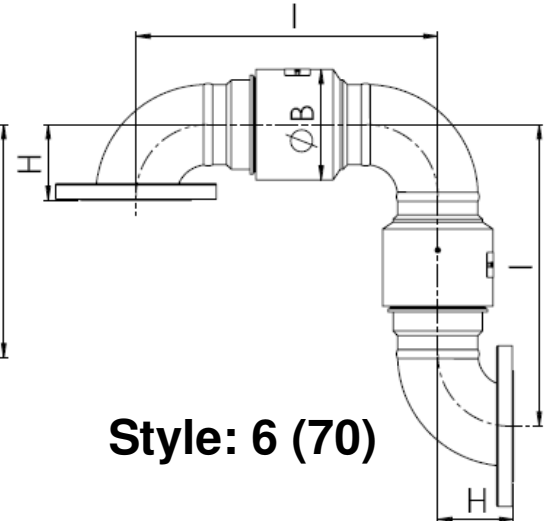
**Style: 3 (40)**



**Style: 4 (50)**



**Style: 5 (60)**



**Style: 6 (70)**

BORE		B Dia	FLANGED (Slip on-raised face)			
(in.)	(mm)	(mm)	D	G	H	I
1"	24	68	149	157	44	168
1 1/2"	38	79	159	174	63	211
2"	49	94	168	208	82	258
3"	73	121	204	277	120	283
4"	97	157	234	332	108	430
6"	146	216	216	363	159	510

**NOTE:** Tabulated dimensions are for ASME 150 lb slip on flanges with long radius elbows on sizes 1" - 3" and short radius on 4" - 6". Other flanges or short/long radius elbows are available on request.

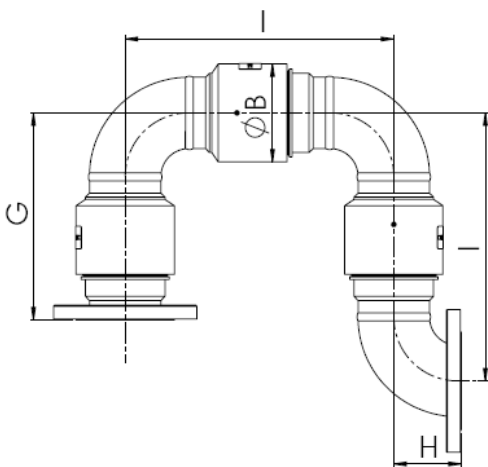
Please contact our design department for further dimensions & specifications.

- Allowances for welding = 2mm per weld.
- The swivel bore is schedule XS (80) unless otherwise specified.
- The fittings and elbows are schedule STD (40) unless otherwise specified.

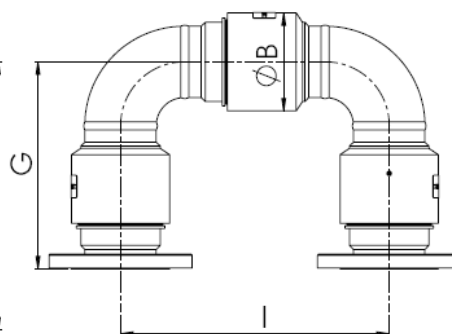
ROTAFLOW PROVIDE A DESIGN SERVICE

Assistance can be given on the configuration of joints for space saving in difficult areas, high pressure and larger bore designs. PTFE seals are offered as standard. Other materials including Nitrile, Fluorocarbon (Viton®), Aflas®, HNBR, EPDM are available.

Aflas is a trademark of Asahi Glass.  
Viton is a trademark of DuPont Performance Elastomers



**Style: 7 (80)**



**Style: 8 (10)**

Drawings above are not to scale and are used for graphical representation

Copyright © 2016 Rotaflow FV LTD

## Rotaflow FV Limited

Rotec House, Bingswood Trading Estate, Whaley Bridge, High Peak, SK23 7LY  
www.rotaflow.com tel:+44(0)1663 735003 fax:+44(0)1663 735006  
email:sales@rotaflow.com

Tech Spec:  
218/161026  
Page 1 of 1