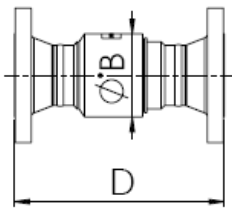




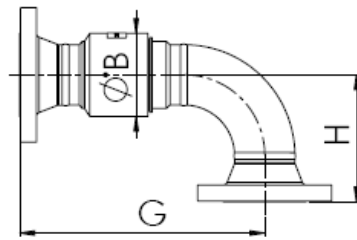
LARGE BORE SWIVEL JOINTS

NOMINAL BORE 8" TO 24"

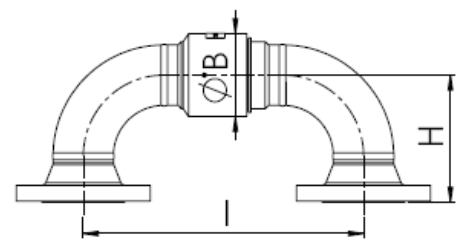
WELD NECK FLANGED (ANSI 150lb, 300lb & 600lb)



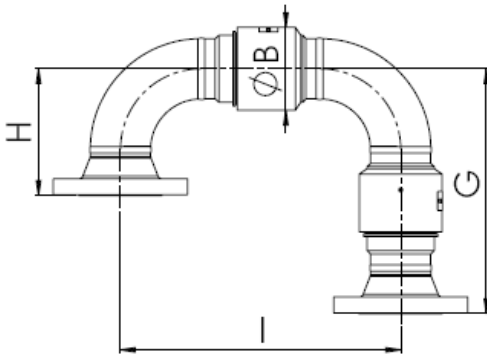
Style: 1 (20)



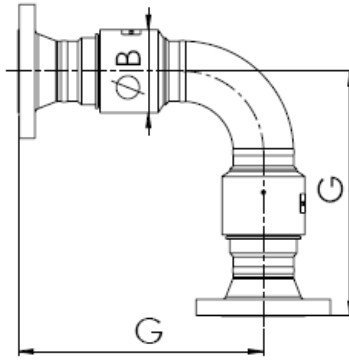
Style: 2 (30)



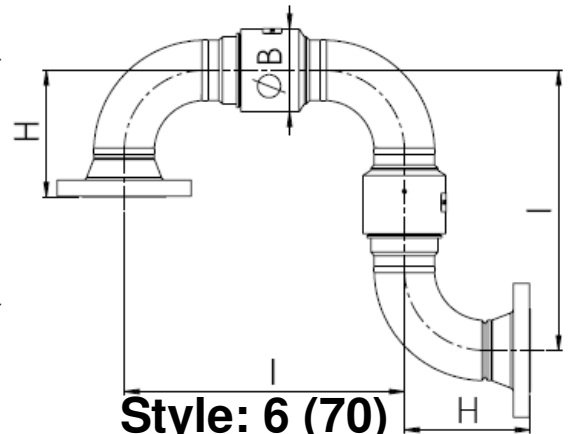
Style: 3 (40)



Style: 4 (50)



Style: 5 (60)

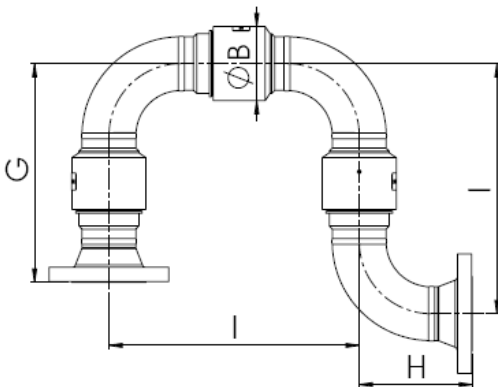


Style: 6 (70)

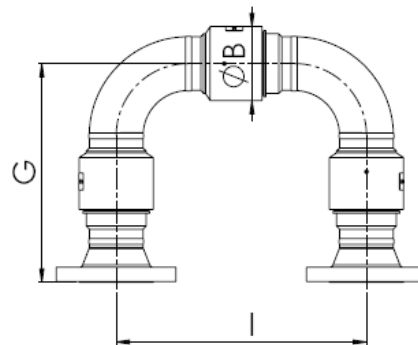
BORE (in.)	B Dia (mm)	I	WN FLANGED 150			WN FLANGED 300			WN FLANGED 600			
			D	G	H	D	G	H	D	G	H	
8"	193	283	934	527	730	408	546	740	418	603	768	446
10"	247	337	1086	527	807	485	559	823	501	641	864	542
12"	298	388	1238	553	896	574	584	911	589	648	943	621
14"	330	420	1391	578	984	662	610	1000	678	667	1029	707
16"	380	470	1543	578	1061	739	616	1080	758	692	1118	796
18"	431	521	1696	603	1150	828	642	1169	847	705	1200	878
20"	482	572	1848	613	1231	909	648	1248	926	718	1283	961
24"	584	674	2153	629	1391	1069	661	1407	1085	743	1448	1126

- Allowances for welding = 2mm per weld.
- The swivel bore is schedule XS unless otherwise specified.
- The fittings and elbows are schedule STD unless otherwise

NOTE: Tabulated dimensions are for long radius elbows on all sizes, short radius available on request.



Style: 7 (80)



Style: 8 (10)

ROTAFLOW PROVIDE A DESIGN SERVICE

Assistance can be given on the configuration of joints for space saving in difficult areas, high pressure and larger bore designs. PTFE seals are offered as standard. Other materials including Nitrile, Fluorocarbon (Viton®), Atlas®, HNBR, EPDM are available.

Atlas is a trademark of Asahi Glass.
Viton is a trademark of DuPont Performance Elastomers

Drawings above are not to scale and are used for graphical representation only.

Copyright © 2016 Rotaflow FV LTD

Rotaflow FV Limited

Rotec House, Bingswood Trading Estate, Whaley Bridge, High Peak, SK23 7LY
www.rotaflow.com tel:+44(0)1663 735003 fax:+44(0)1663 735006
email:sales@rotaflow.com

Tech Spec:
223/161026
Page 1 of 1